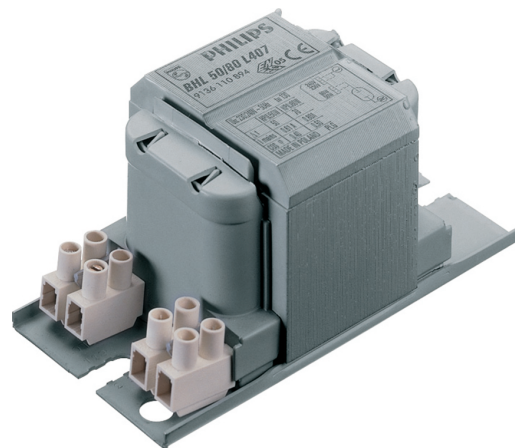


PHILIPS

Lighting



HID-Basic BSN/BMH semi-parallel for SON/CDO/CDM/MH/HPI

BMH 35 K302-ITS 230V 50Hz BC1-118

Impregnated electromagnetic copper ballasts for use with an external semi-parallel ignitor for CDM, CDO, MH, HPI (Plus) and SON lamps

Product data

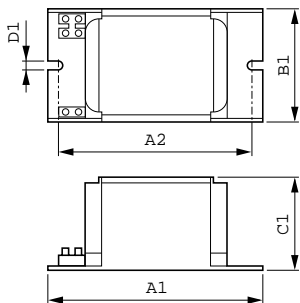
| General Information | | System characteristics | |
|------------------------------------|---------------------|-------------------------------|---|
| Application Code | K302-ITS | Capacitor | 6 μ F/250V |
| Design | BC1-118 | Rated Ballast-Lamp Power | 35 W |
| Lamp Type | CDM | Recommended Ignitor | for SON/CDO/CDM lamps ignitor SKD 578 (913700655366) or series digital SUD40 (913700193591) only CDM |
| Number of Lamps | 1 piece/unit | | |
| Operating and Electrical | | Temperature | |
| Input Voltage | 230 V | T-Storage (Max) | 130 °C |
| Input Frequency | 50 Hz | T-Storage (Min) | -30 °C |
| Power Factor 100% Load (Nom) | 0.35 | T-Winding (Max) | 130 °C |
| Mains Voltage Performance (AC) | -8%+6% | | |
| Mains Voltage Safety (AC) | -10%+10% | Approval and Application | |
| Input Current with PF Correction | 0.85 A | Active Temperature Protection | Yes |
| | | Approval Marks | CE marking ENEC certificate |
| Wiring | | Product Data | |
| Wire Striplength | 7.0 mm | Full product code | 872790094017600 |
| Ballast Contact Wire Cross Section | 2.5 mm ² | Order product name | BMH 35 K302-ITS 230V 50Hz BC1-118 |
| Connector Type | Insert | EAN/UPC - Product | 8727900940176 |
| | | Order code | 913700280526 |

HID-Basic BSN/BMH semi-parallel for SON/CDO/CDM/MH/HPI

| | |
|---------------------------------|--------------|
| Numerator - Quantity Per Pack | 1 |
| Numerator - Packs per outer box | 6 |
| Material Nr. (12NC) | 913700280526 |

| | |
|--------------------|----------|
| Net Weight (Piece) | 0.955 kg |
|--------------------|----------|

Dimensional drawing



| Product | D1 | C1 | A1 | A2 | B1 |
|---------------------------|--------|---------|----------|---------|---------|
| BMH 35 K302-ITS 230V 50Hz | 6.2 mm | 52.0 mm | 118.0 mm | 94.0 mm | 61.0 mm |
| BC1-118 | | | | | |

BMH 35 K302-ITS 230V 50Hz BC1-118

